



URB GROUP



URB



urb group s.c. rulmenti s.a
320, Republicii Street, Zip code 731 108 Barlad Romania
tel: +40235412120 fax: +40235-30.82.00
info@urb.ro - www.urbgroup.com



URB Group



Who we are: History & Facilities



Design Capabilities & Applications



Manufacturing Processes & Controls



Quality Control & Certificates



References

WHO WE ARE



1953

Barlad Factory started production



1973

The Forging technology from Haterbur and Wagner Germany was applied successfully



1975
–
1982

Modernization of turning and grinding workshops



1992
–
1996

Continuous modernization of various machinery and equipment



2000

Finalization of privatization process



2001
–
2005

A period of big investments in machine technologies



2006

Founding Anadolu Rulman factory (ART) in Turkey



2007

Acquisition of MGM factory in Hungary



2013

URB celebrates 60 Years Anniversary



2016

Start of work for URB India plant

S.C. RULMENTI S.A. (Romania)



Established in **1953**

Total Area: **1.300.000 m²**

Covered Area: **400.000 m²**

BEARING TYPES	SIZE RANGE (MM)	
Radial Ball Bearings	$150 \leq d \leq 400$	$300 \leq D \leq 600$
Thrust Bearings	$10 \leq d \leq 320$	$24 \leq D \leq 420$
Cylindrical Bearings	$15 \leq d \leq 750$	$30 \leq D \leq 910$
Spherical Bearings	$40 \leq d \leq 450$	$80 \leq D \leq 620$



www.urbgroup.com

ART (Turkey)



Established in **2005**

Total Area: **125.000 m²**

Covered Area: **10.000 m²**

BEARING TYPES	SIZE RANGE (MM)	
Single Row Deep Groove Ball Bearings	$10 \leq d \leq 250$	$50 \leq D \leq 300$
Tapered Roller Bearings	$10 \leq d \leq 160$	$100 \leq D \leq 250$
Induction Coated Shaft	$8 \leq d \leq 70$	



MGM (Hungary)



Established in **1950**

Total Area: **64.000 m²**

Covered Area: **40.000 m²**

BEARING TYPES	SIZE RANGE (MM)	
Single Row Tapered Roller Bearings	$50 \leq d \leq 160$	$100 \leq D \leq 300$
Paired or Double Row Tapered Roller Bearings	$50 \leq d \leq 160$	$100 \leq D \leq 300$
Single Row Deep Groove Ball Bearings	$50 \leq d \leq 130$	$100 \leq D \leq 200$





www.urbgroup.com

PLANTS – URB INDIA Status of the Site

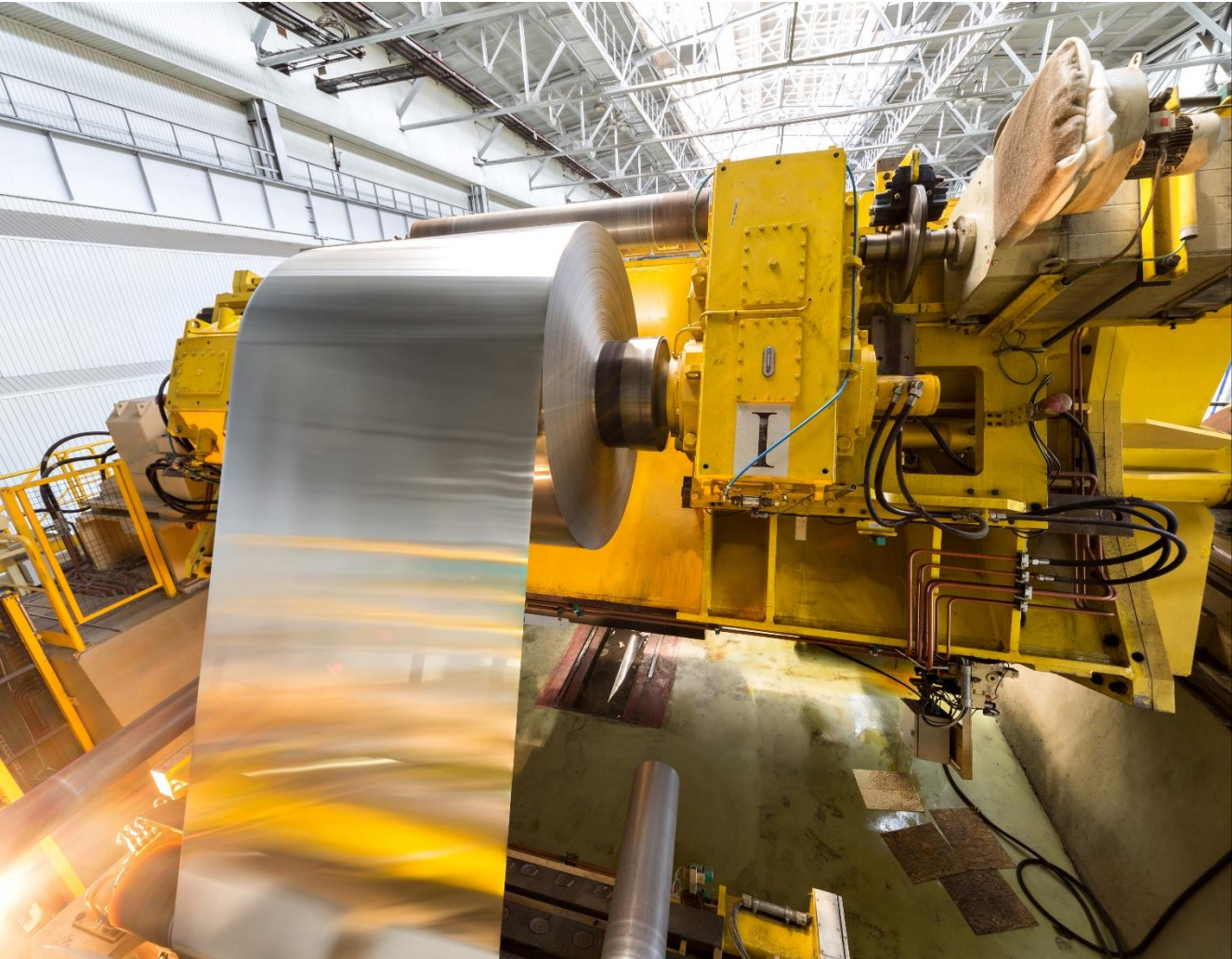


www.urbgroup.com

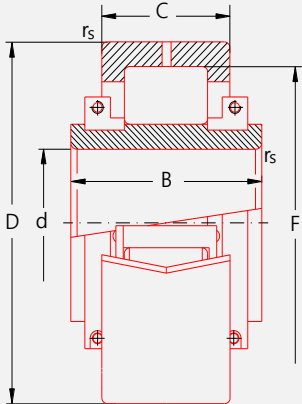
Applications



Applications



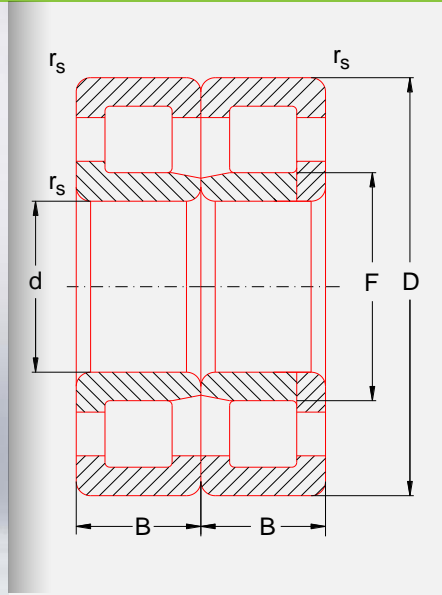
METALLURGY



Applications



RAILWAYS



MAIN CUSTOMERS - RAILWAY



ROMANIAN Railways



POLISH Railways



TURKISH Railways



BULGARIAN Railways



GREEK Railways

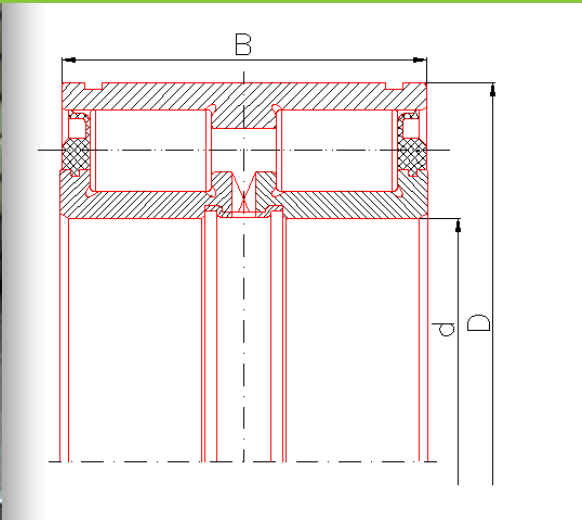


VIETNAMESE Railways



www.urbgroup.com

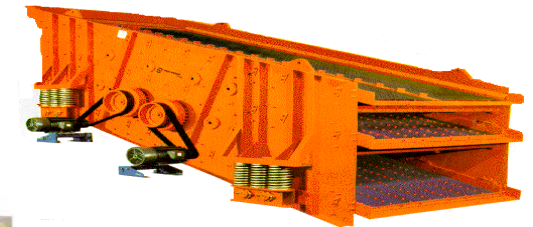
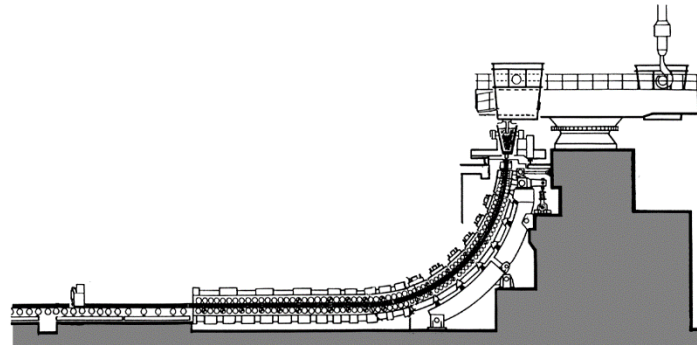
Applications



Applications



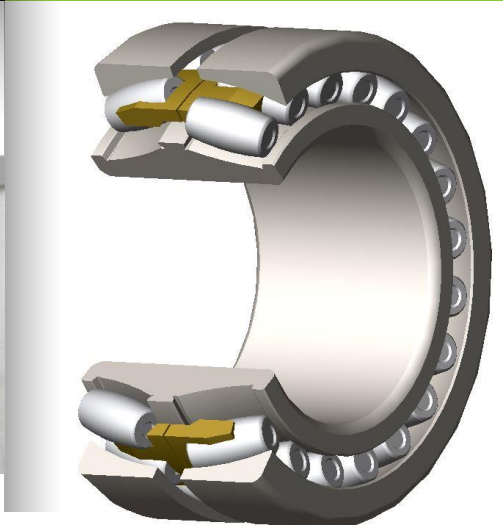
AGRICULTURE, MINING, CEMENT, METALS, TRUCKS, CRANES



Applications



ELEVATOR. ROPE SHEAVES



MAIN STEEL SUPPLIERS



Ovako - **Sweden**



Deutsche Edelstahlwerke - **Germany**



OEMK – **Russia**



Kobe Steel – **Japan**



Sanyo – **Japan**



Moravia Steel – **Czech**



www.urbgroup.com



Certification **SMC - ISO 9001 : 2008 / LLOYD'S REGISTER**

Certificate no. BUC6013156 from 23.09.2011

Certificate validity: 22.09.2017

Certification **SMM - ISO 14001 : 2004 / LLOYD'S REGISTER**

Certificate no. BUC6013157 from 22.09.2011

Certificate validity: 21.09.2017

Certification **SMSSO - OHSAS 18001 : 2007 / LLOYD'S REGISTER**

Certificate no. BUC6013158 from 29.09.2011

Certificate validity: 28.09.2017

Certification **SMC - ISO/TS 16949 : 2009 / LLOYD'S REGISTER**

Certificate no. TS-2009-0494 from 24.05.2013

Certificate validity: 23.06.2016

Certification **SMA - IRIS, Rev. 02 : 2009 / LLOYD'S REGISTER**

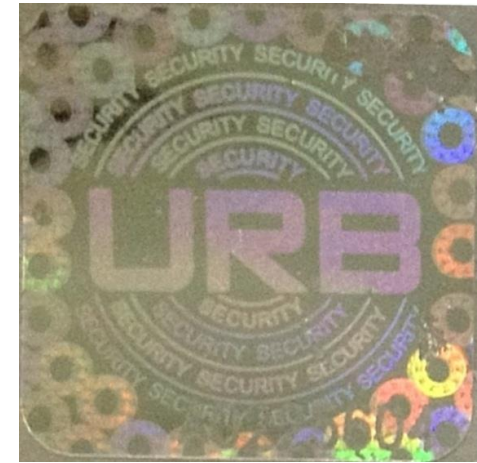
Certificate no. 488236 IRIS from 26.02.2014

Certificate validity: 15.12.2016

PACKAGING – URB Standards



www.urbgroup.com



REFERENCES





www.urbgroup.com

THANK YOU

FOR YOUR ATTENTION

